

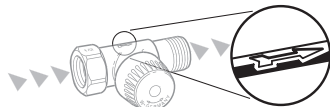
Bosch Thermotechnik GmbH
 Sophienstrasse 30-32
 D-35576 Wetzlar
 www.bosch-thermotechnology.com

TWV



2 - 130°C (36 - 266°F)
 Max. 10bar (145psi)

$\Delta p_{max} = 1.0\text{bar}$ (14.5psi)
 $kvs = 0.72$ (cv = 0.84)
 M30 x1.5

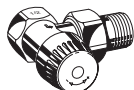


TWV-E10

DN10: 7738306444

TWV-E15

DN15: 7738306440

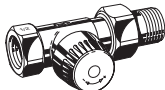


TWV-D10

DN10: 7738306445

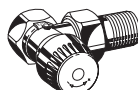
TWV-D15

DN15: 7738306441



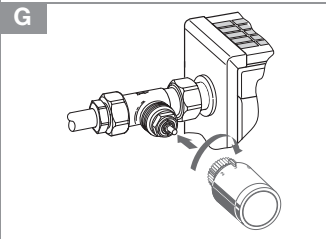
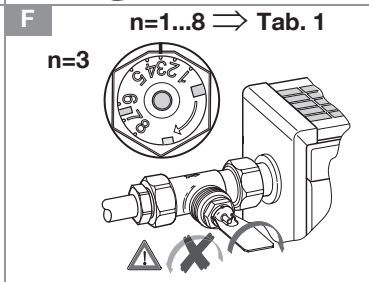
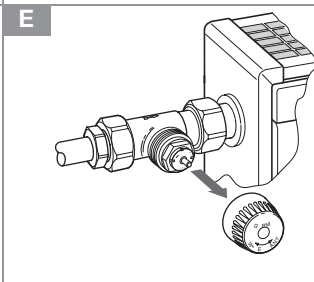
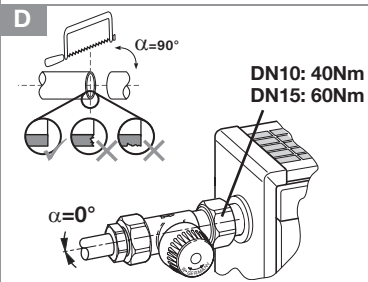
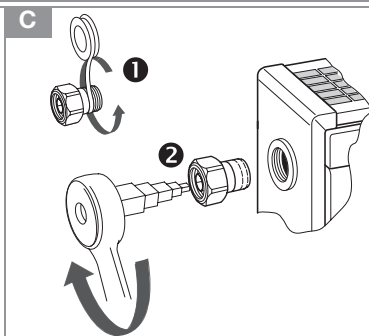
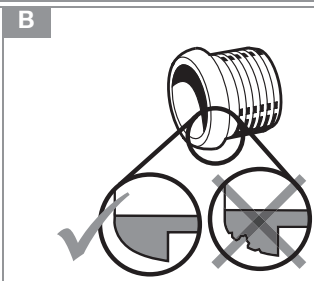
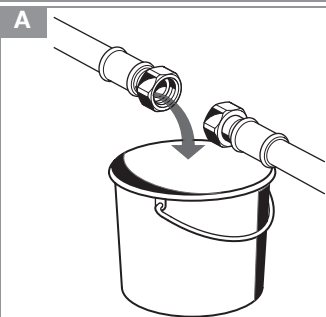
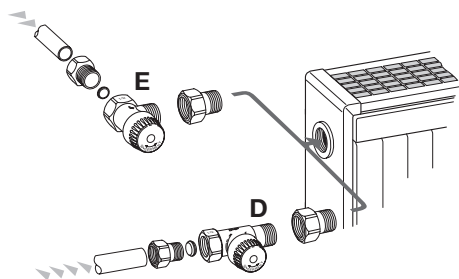
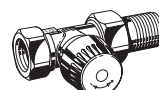
TWV-E15F

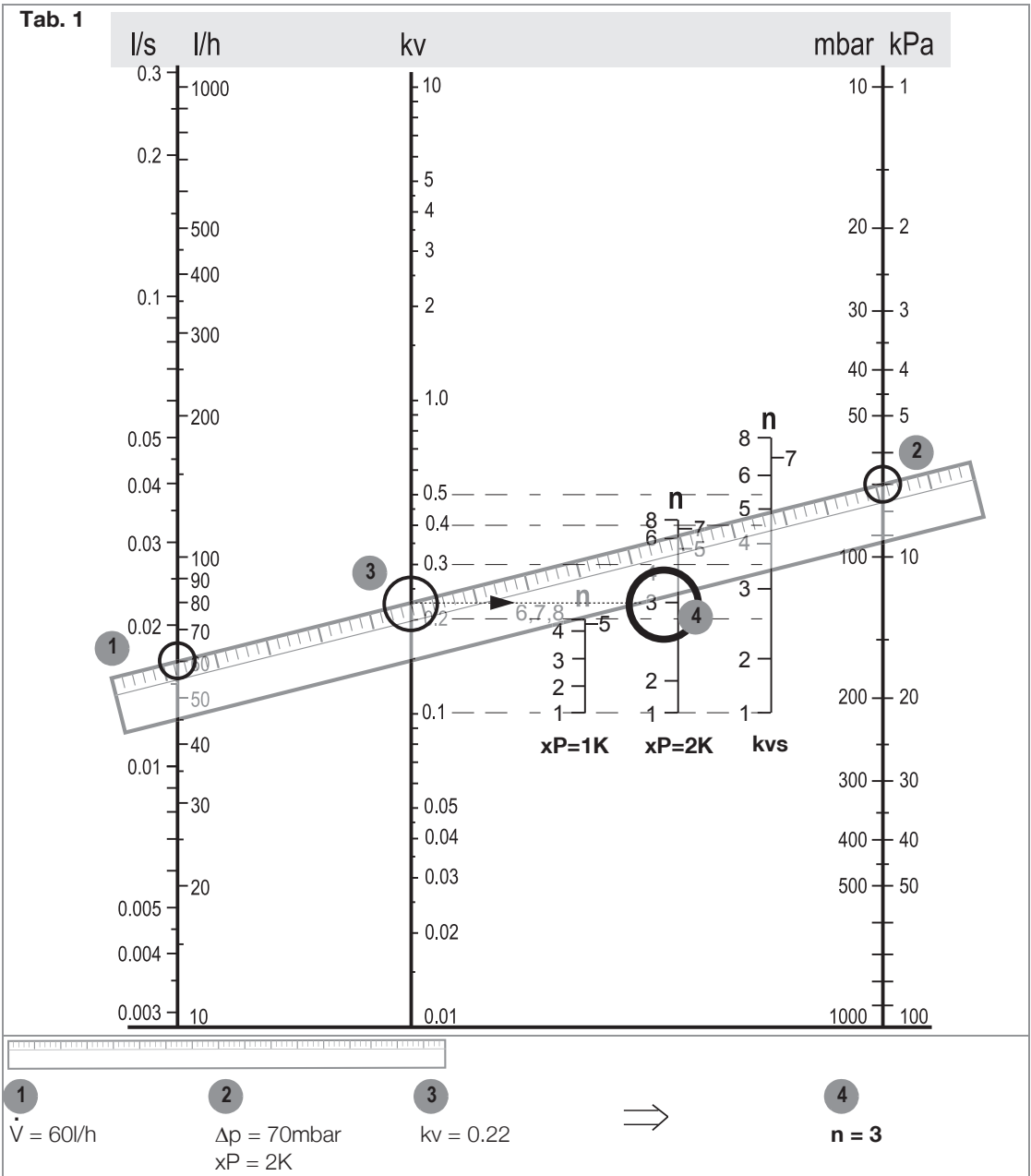
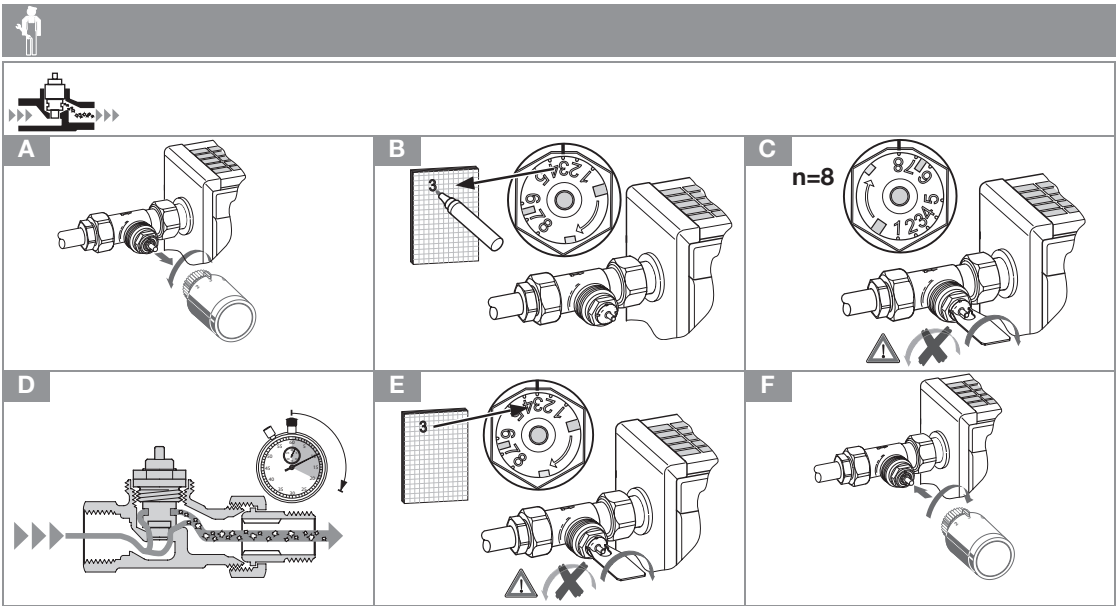
DN15: 7738306446



TWV-D15F

DN15: 7738306447





Bosch Thermotechnik GmbH
 Sophienstrasse 30-32
 D-35576 Wetzlar
 www.bosch-thermotechnology.com